



对夹式薄型气动球阀

新型号: JG60-Q-3-DA-MF3-50-A-16
老型号: JGQ671-(F, PPL)-PN16、25-(C, P, R)

技术规范 Technical specification

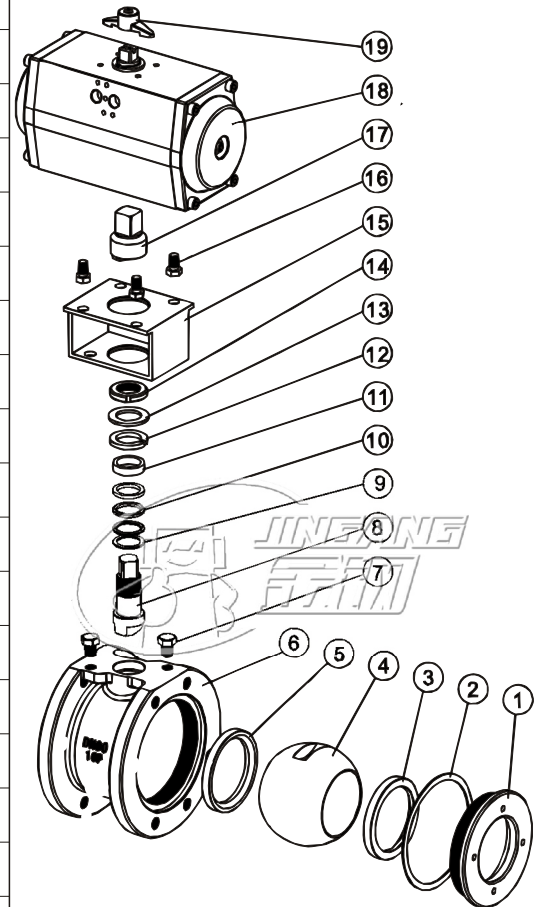
设计依据 Design reference	GB标准	ANSI标准
设计标准 Design standard	GB/12237	ANSI B16.34
连接法兰尺寸 Connecting Flange Size	GB/9113、JB/T79	ANSI B16.5
试验和检验 Test & inspection	JB/T9002	API 598

※注: 系列球阀结构长度及连接法兰尺寸可根据用户要求设计制造。
Note: The structural length and connecting flange size of ball valve series can be designed and manufactured as per users' requirements.

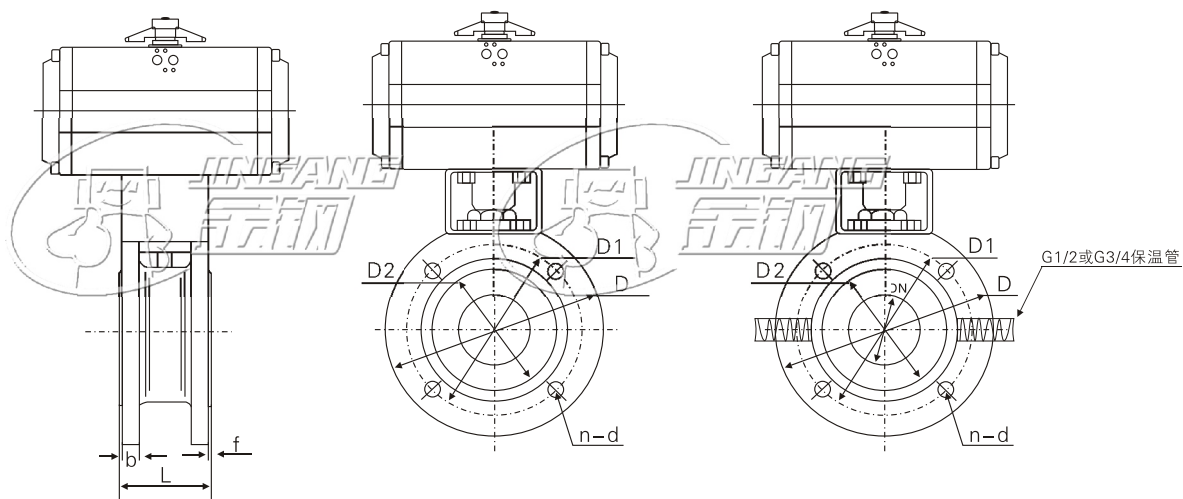


主要零件材质表 Form of Major Parts Materials

序号 No	零件名称 Accessory name	材质 Material		
		C	P	R
1	阀盖 Cover	WCB	ZG1Cr18Ni9Ti	ZG1Cr18Ni12Mo2Ti
2	垫片 Gasket	PTFE	PTFE	PTFE
3	阀座 Seat	PTFE	PTFE	PTFE
4	球体 Ball	1Cr18Ni9Ti	1Cr18Ni9Ti	1Cr18Ni9Ti
5	阀座 Seat	PTFE	PTFE	PTFE
6	阀体 Body	WCB	ZG1Cr18Ni9Ti	ZG1Cr18Ni12Mo2Ti
7	螺栓 Stud	35	1Cr18Ni9Ti	1Cr18Ni12Mo2Ti
8	阀杆 Stem	1Cr13	1Cr18Ni9Ti	1Cr18Ni12Mo2Ti
9	垫片 Gasket	PTFE	PTFE	PTFE
10	填料 Packing	PTFE	PTFE	PTFE
11	衬套 Bushing	PTFE	PTFE	PTFE
12	弹垫 Spring Gasket	WCB	ZG1Cr18Ni9Ti	ZG1Cr18Ni12Mo2Ti
13	垫片 Gasket	35	1Cr18Ni9Ti	1Cr18Ni9Ti
14	螺母 Nut	35	1Cr18Ni9Ti	1Cr18Ni9Ti
15	连接支架 Connecting Yoke	1Cr18Ni9Ti	1Cr18Ni9Ti	1Cr18Ni9Ti
16	螺栓 Bolt	35	1Cr18Ni9Ti	1Cr18Ni9Ti
17	连接套 Connecting Set	35	1Cr18Ni9Ti	1Cr18Ni9Ti
18	气动装置 Pneumatic Device			
19	位置指示器 Location Indicator	塑料 Rubber	塑料 Rubber	塑料 Rubber



※注: 主要零部件及密封圈的材质亦可根据实际工况条件或用户特殊要求设计选用。
Note: The main spare parts and sealing-ring materials of ball valve series can be designed for options as per real working conditions and users' special requirements.



气动对夹式薄型球阀

气动对夹式薄型保温球阀

主要外形及连接尺寸(mm)

公称通径 DN	外形尺寸						
	L	D	D1	D2	b	f	n-d
15	32	95	65	45	16	2	4-12
20	38	105	75	58	18		4-12
25	42	115	85	68	18		4-12
32	50	140	100	78	18		4-16
40	60	150	110	88	18	3	4-16
50	70	165	125	102	18		4-16
65	94	185	145	122	18		8-16
80	118	200	160	138	20		8-16
100	140	220	180	158	20		8-16
125	195	250	210	188	22		8-16
150	225	285	240	212	22		8-20
200	275	340	295	268	24		12-20